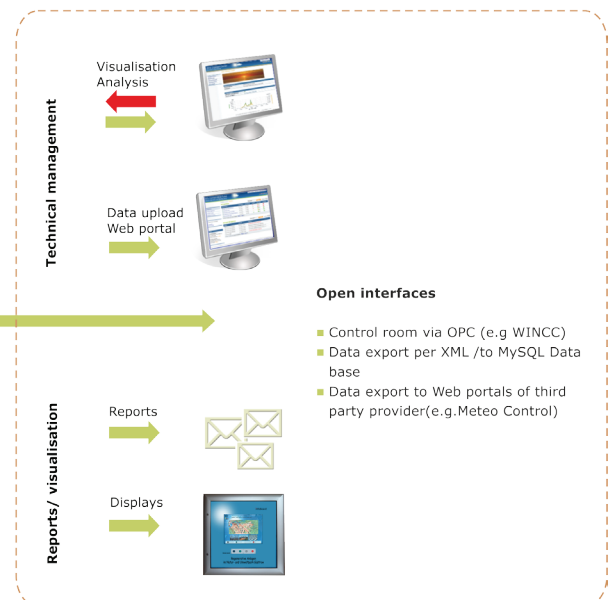
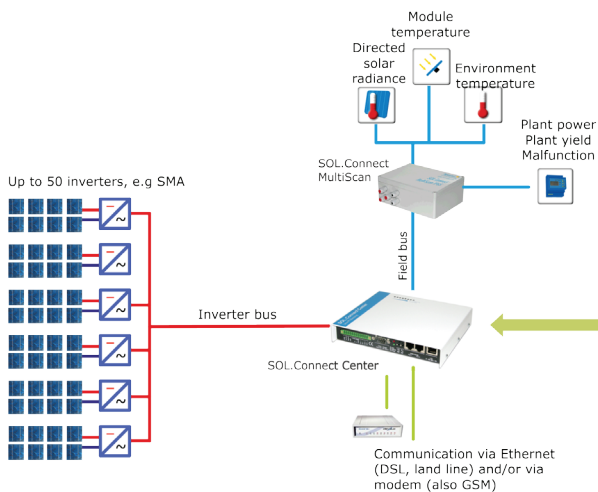


The SOL.Connect® Center has been developed for monitoring and technical management of commercial PV-plants. The data logger is characterized by an exceptionally flexible field of application and the easy integration into existing control technologies. Apart from functionalities to comply with the demands of the EEG and the BDEW Medium-Voltage Directive this device features a comfortable presentation of plant related data and the possibility to individually configure automatic alarm in case of malfunctions.

For a precise evaluation of plant data and a reliable plant operation components of the counter and sensors accessory range may be installed to determine the ongoing environmental conditions onsite.



Features

- Recording of up to 50 inverters (depending on type) in 10 minute intervals
- Online display and diagram analysis
- Individual configuration and grouping of inverters
- Minimum yield and permitted deviation of yield (in %) of the plant to set alarm triggering values
- Configurable real-time monitoring of errors and events for inverter and system events, communication and production failures, yield deviation from normal values and performance standard given by the network operator
- Notification via E-Mail, FTP, SMS or alarm contact (dial-up networking or LAN)
- OPC (OLE Process Control) interface, direct data export MySQL® data base, cyclical XML transmission via FTP

Technology

- Front connector RS232 or 485, EasyLan, 1x relay output, 1x optical input
- Power strip back side: 2x USB ports
- RS485 via RJ45 dual socket (galvanically isolated)
- 256 MB RAM
- Internal memory (1 GB), 1 GB Compact Flash® memory card (up to 4 GB)
- Performance and events display via LEDs (upside)
- Current consumption: 3W
- Dimensions: 175 x 155 x 45mm (W x H x D)
- Weight: approx. 800 gr
- Operating temperature: -10°C up to +50°C
- CE, UL, cUL certificated
- Made in Germany